

LED DISPLAYS

Idea lites

Digit Size & Figure No.	Type	Part No.	Chip		Peak λ (nm)	E/O Characteristics				Max Ratings				
			Material	Color		$V_F(V) @ I_F=20mA$		$I_R^* \text{ Max } (\mu A)$	Typ $I_V @ I_F=20mA$ (μcd)	P_d (mW)	I_F (mA)	V_R (V)	T_{opr} ($^{\circ}C$)	T_{stg} ($^{\circ}C$)
						Typ	Max							
0.3 inch (7.62 mm) Single Digit Figure 1	C. Cathode	SRC130	GaAsP	Red	655	1.7	2.0	100	600	100	30	5	- 40 to + 85	- 40 to + 100
		SHC130	GaP	Red	697	2.0	2.8	100	1300	75	20	5		
		SGC130	GaP	Green	565	2.2	2.8	100	2500	125	30	5		
		SYC130	GaAsP/GaP	Yellow	585	2.1	2.8	100	2500	125	30	5		
		SEC130	GaAsP/GaP	Orange	635	2.0	2.8	100	3500	125	30	5		
	C. Anode	SRA130	GaAsP	Red	655	1.7	2.0	100	600	100	30	5		
		SHA130	GaP	Red	697	2.0	2.8	100	1300	75	20	5		
		SGA130	GaP	Green	565	2.2	2.8	100	2500	125	30	5		
		SYA130	GaAsP/GaP	Yellow	585	2.1	2.8	100	2500	125	30	5		
		SEA130	GaAsP/GaP	Orange	635	2.0	2.8	100	3500	125	30	5		
0.3 inch (7.62 mm) ± 1 Polarity & Overflow Figure 2	C. Cathode	SRC530	GaAsP	Red	655	1.7	2.0	100	600	100	30	5	- 40 to + 85	- 40 to + 100
		SHC530	GaP	Red	697	2.0	2.8	100	1300	75	20	5		
		SGC530	GaP	Green	565	2.2	2.8	100	2500	125	30	5		
		SYC530	GaAsP/GaP	Yellow	585	2.1	2.8	100	2500	125	30	5		
		SEC530	GaAsP/GaP	Orange	635	2.0	2.8	100	3500	125	30	5		
	C. Anode	SRA530	GaAsP	Red	655	1.7	2.0	100	600	100	30	5		
		SHA530	GaP	Red	697	2.0	2.8	100	1300	75	20	5		
		SGA530	GaP	Green	565	2.2	2.8	100	2500	125	30	5		
		SYA530	GaAsP/GaP	Yellow	585	2.1	2.8	100	2500	125	30	5		
		SEA530	GaAsP/GaP	Orange	635	2.0	2.8	100	3500	125	30	5		
0.36 inch (9.14 mm) Single Digit Figure 3	C. Cathode	HRC136	GaAsP	Red	655	1.7	2.0	100	800	100	30	5	- 40 to + 85	- 40 to + 100
		HHC136	GaP	Red	697	2.0	2.8	100	1300	75	20	5		
		HGC136	GaP	Green	565	2.2	2.8	100	2500	125	30	5		
		HYC136	GaAsP/GaP	Yellow	585	2.1	2.8	100	2500	125	30	5		
		HEC136	GaAsP/GaP	Orange	635	2.0	2.8	100	3500	125	30	5		
	C. Anode	HRA136	GaAsP	Red	655	1.7	2.0	100	800	100	30	5		
		HHA136	GaP	Red	697	2.0	2.8	100	1300	75	20	5		
		HGA136	GaP	Green	565	2.2	2.8	100	2500	125	30	5		
		HYA136	GaAsP/GaP	Yellow	585	2.1	2.8	100	2500	125	30	5		
		HEA136	GaAsP/GaP	Orange	635	2.0	2.8	100	3500	125	30	5		
0.36 inch (9.14 mm) ± 1 Polarity & Overflow Figure 4	C. Cathode	HRC536	GaAsP	Red	655	1.7	2.0	100	800	100	30	5	- 40 to + 85	- 40 to + 100
		HHC536	GaP	Red	697	2.0	2.8	100	1300	75	20	5		
		HGC536	GaP	Green	565	2.2	2.8	100	2500	125	30	5		
		HYC536	GaAsP/GaP	Yellow	585	2.1	2.8	100	2500	125	30	5		
		HEC536	GaAsP/GaP	Orange	635	2.0	2.8	100	3500	125	30	5		
	C. Anode	HRA536	GaAsP	Red	655	1.7	2.0	100	800	100	30	5		
		HHA536	GaP	Red	697	2.0	2.8	100	1300	75	20	5		
		HGA536	GaP	Green	565	2.2	2.8	100	2500	125	30	5		
		HYA536	GaAsP/GaP	Yellow	585	2.1	2.8	100	2500	125	30	5		
		HEA536	GaAsP/GaP	Orange	635	2.0	2.8	100	3500	125	30	5		
0.4 inch (10.16 mm) Single Digit Figure 5	C. Cathode	RRC140	GaAsP	Red	655	1.7	2.0	100	800	100	30	5	- 40 to + 85	- 40 to + 100
		RHC140	GaP	Red	697	2.0	2.8	100	1300	75	20	5		
		RGC140	GaP	Green	565	2.2	2.8	100	2500	125	30	5		
		RYC140	GaAsP/GaP	Yellow	585	2.1	2.8	100	2500	125	30	5		
		REC140	GaAsP/GaP	Orange	635	2.0	2.8	100	3500	125	30	5		
	C. Anode	RRA140	GaAsP	Red	655	1.7	2.0	100	800	100	30	5		
		RHA140	GaP	Red	697	2.0	2.8	100	1300	75	20	5		
		RGA140	GaP	Green	565	2.2	2.8	100	2500	125	30	5		
		RYA140	GaAsP/GaP	Yellow	585	2.1	2.8	100	2500	125	30	5		
		REA140	GaAsP/GaP	Orange	635	2.0	2.8	100	3500	125	30	5		

Specifications subject to change at any time.

LED DISPLAYS

Idea lites

Digit Size & Figure No.	Type	Part No.	Chip		Peak λ (nm)	E/O Characteristics				Max Ratings				
			Material	Color		$V_F(V)$ @ $I_F=20mA$		I_R^* Max (μA)	Typ I_V @ $I_F=20mA$ (μcd)	P_d (mW)	I_F (mA)	V_R (V)	T_{opr} ($^{\circ}C$)	T_{stg} ($^{\circ}C$)
						Typ	Max							
0.4 inch (10.16 mm) ± 1 Polarity & Overflow Figure 6	C. Cathode	RRC540	GaAsP	Red	655	1.7	2.0	100	800	100	30	5	-40 to +85	-40 to +100
		RHC540	GaP	Red	697	2.0	2.8	100	1300	75	20	5		
		RGC540	GaP	Green	565	2.2	2.8	100	2500	125	30	5		
		RYC540	GaAsP/GaP	Yellow	585	2.1	2.8	100	2500	125	30	5		
		REC540	GaAsP/GaP	Orange	635	2.0	2.8	100	3500	125	30	5		
	C. Anode	RRA540	GaAsP	Red	655	1.7	2.0	100	800	100	30	5		
		RHA540	GaP	Red	697	2.0	2.8	100	1300	75	20	5		
		RGA540	GaP	Green	565	2.2	2.8	100	2500	125	30	5		
		RYA540	GaAsP/GaP	Yellow	585	2.1	2.8	100	2500	125	30	5		
		REA540	GaAsP/GaP	Orange	635	2.0	2.8	100	3500	125	30	5		
0.43 inch (10.92 mm) Single Digit Figure 7	C. Cathode	SRC143	GaAsP	Red	655	1.7	2.0	100	800	100	30	5	-40 to +85	-40 to +100
		SHC143	GaP	Red	697	2.0	2.8	100	1300	75	20	5		
		SGC143	GaP	Green	565	2.2	2.8	100	2500	125	30	5		
		SYC143	GaAsP/GaP	Yellow	585	2.1	2.8	100	2500	125	30	5		
		SEC143	GaAsP/GaP	Orange	635	2.0	2.8	100	3500	125	30	5		
	C. Anode	SRA143	GaAsP	Red	655	1.7	2.0	100	800	100	30	5		
		SHA143	GaP	Red	697	2.0	2.8	100	1300	75	20	5		
		SGA143	GaP	Green	565	2.2	2.8	100	2500	125	30	5		
		SYA143	GaAsP/GaP	Yellow	585	2.1	2.8	100	2500	125	30	5		
		SEA143	GaAsP/GaP	Orange	635	2.0	2.8	100	3500	125	30	5		
0.43 inch (10.92 mm) ± 1 Polarity & Overflow Figure 8	C. Cathode	SRC543	GaAsP	Red	655	1.7	2.0	100	800	100	30	5	-40 to +85	-40 to +100
		SHC543	GaP	Red	697	2.0	2.8	100	1300	75	20	5		
		SGC543	GaP	Green	565	2.2	2.8	100	2500	125	30	5		
		SYC543	GaAsP/GaP	Yellow	585	2.1	2.8	100	2500	125	30	5		
		SEC543	GaAsP/GaP	Orange	635	2.0	2.8	100	3500	125	30	5		
	C. Anode	SRA543	GaAsP	Red	655	1.7	2.0	100	800	100	30	5		
		SHA543	GaP	Red	697	2.0	2.8	100	1300	75	20	5		
		SGA543	GaP	Green	565	2.2	2.8	100	2500	125	30	5		
		SYA543	GaAsP/GaP	Yellow	585	2.1	2.8	100	2500	125	30	5		
		SEA543	GaAsP/GaP	Orange	635	2.0	2.8	100	3500	125	30	5		
0.50 inch (12.7 mm) Single Digit Figure 9	C. Cathode	SRC150	GaAsP	Red	655	1.7	2.0	100	800	100	30	5	-40 to +85	-40 to +100
		SHC150	GaP	Red	697	2.0	2.8	100	1300	75	20	5		
		SGC150	GaP	Green	565	2.2	2.8	100	2500	125	30	5		
		SYC150	GaAsP/GaP	Yellow	585	2.1	2.8	100	2500	125	30	5		
		SEC150	GaAsP/GaP	Orange	635	2.0	2.8	100	3500	125	30	5		
	C. Anode	SRA150	GaAsP	Red	655	1.7	2.0	100	800	100	30	5		
		SHA150	GaP	Red	697	2.0	2.8	100	1300	75	20	5		
		SGA150	GaP	Green	565	2.2	2.8	100	2500	125	30	5		
		SYA150	GaAsP/GaP	Yellow	585	2.1	2.8	100	2500	125	30	5		
		SEA150	GaAsP/GaP	Orange	635	2.0	2.8	100	3500	125	30	5		
0.50 inch (12.7 mm) ± 1 Polarity & Overflow Figure 10	C. Cathode	SRC550	GaAsP	Red	655	1.7	2.0	100	800	100	30	5	-40 to +85	-40 to +100
		SHC550	GaP	Red	697	2.0	2.8	100	1300	75	20	5		
		SGC550	GaP	Green	565	2.2	2.8	100	2500	125	30	5		
		SYC550	GaAsP/GaP	Yellow	585	2.1	2.8	100	2500	125	30	5		
		SEC550	GaAsP/GaP	Orange	635	2.0	2.8	100	3500	125	30	5		
	C. Anode	SRA550	GaAsP	Red	655	1.7	2.0	100	800	100	30	5		
		SHA550	GaP	Red	697	2.0	2.8	100	1300	75	20	5		
		SGA550	GaP	Green	565	2.2	2.8	100	2500	125	30	5		
		SYA550	GaAsP/GaP	Yellow	585	2.1	2.8	100	2500	125	30	5		
		SEA550	GaAsP/GaP	Orange	635	2.0	2.8	100	3500	125	30	5		

Specifications subject to change at any time.

(2)

LED DISPLAYS

Idea lites

Digit Size & Figure No.	Type	Part No.	Chip		Peak λ (nm)	E/O Characteristics				Max Ratings				
			Material	Color		$V_F(V) @ I_F = 20mA$		$I_R^* \text{ Max } (\mu A)$	Typ $I_V @ I_F = 20mA$ (μcd)	P_d (mW)	I_F (mA)	V_R (V)	T_{opr} ($^{\circ}C$)	T_{stg} ($^{\circ}C$)
						Typ	Max							
0.5 inch (12.7 mm) Single Digit Figure 11	C. Cathode	HRC150	GaAsP	Red	655	1.7	2.0	100	800	100	30	5	- 40 to + 85	- 40 to + 100
		HHC150	GaP	Red	697	2.0	2.8	100	1300	75	20	5		
		HGC150	GaP	Green	565	2.2	2.8	100	2500	125	30	5		
		HYC150	GaAsP/GaP	Yellow	585	2.1	2.8	100	2500	125	30	5		
		HEC150	GaAsP/GaP	Orange	635	2.0	2.8	100	3500	125	30	5		
	C. Anode	HRA150	GaAsP	Red	655	1.7	2.0	100	800	100	30	5		
		HHA150	GaP	Red	697	2.0	2.8	100	1300	75	20	5		
		HGA150	GaP	Green	565	2.2	2.8	100	2500	125	30	5		
		HYA150	GaAsP/GaP	Yellow	585	2.1	2.8	100	2500	125	30	5		
0.5 inch (12.7 mm) ± 1 Polarity & Overflow Figure 12	C. Cathode	NRC150	GaAsP	Red	655	1.7	2.0	100	800	100	30	5	- 40 to + 85	- 40 to + 100
		NHC150	GaP	Red	697	2.0	2.8	100	1300	75	20	5		
		NGC150	GaP	Green	565	2.2	2.8	100	2500	125	30	5		
		NYC150	GaAsP/GaP	Yellow	585	2.1	2.8	100	2500	125	30	5		
		NEC150	GaAsP/GaP	Orange	635	2.0	2.8	100	3500	125	30	5		
	C. Anode	NRA150	GaAsP	Red	655	1.7	2.0	100	800	100	30	5		
		NHA150	GaP	Red	697	2.0	2.8	100	1300	75	20	5		
		NGA150	GaP	Green	565	2.2	2.8	100	2500	125	30	5		
		NYA150	GaAsP/GaP	Yellow	585	2.1	2.8	100	2500	125	30	5		
0.56 inch (14.22 mm) Single Digit Figure 13	C. Cathode	RRC156	GaAsP	Red	655	1.7	2.0	100	800	100	30	5	- 40 to + 85	- 40 to + 100
		RHC156	GaP	Red	697	2.0	2.8	100	1300	75	20	5		
		RGC156	GaP	Green	565	2.2	2.8	100	2500	125	30	5		
		RYC156	GaAsP/GaP	Yellow	585	2.1	2.8	100	2500	125	30	5		
		REC156	GaAsP/GaP	Orange	635	2.0	2.8	100	3500	125	30	5		
	C. Anode	RRA156	GaAsP	Red	655	1.7	2.0	100	800	100	30	5		
		RHA156	GaP	Red	697	2.0	2.8	100	1300	75	20	5		
		RGA156	GaP	Green	565	2.2	2.8	100	2500	125	30	5		
		RYA156	GaAsP/GaP	Yellow	585	2.1	2.8	100	2500	125	30	5		
0.56 inch (14.22 mm) ± 1 Polarity & Overflow Figure 14	C. Cathode	REA156	GaAsP/GaP	Orange	635	2.0	2.8	100	3500	125	30	5	- 40 to + 85	- 40 to + 100
		RRC556	GaAsP	Red	655	1.7	2.0	100	800	100	30	5		
		RHC556	GaP	Red	697	2.0	2.8	100	1300	75	20	5		
		RGC556	GaP	Green	565	2.2	2.8	100	2500	125	30	5		
		RYC556	GaAsP/GaP	Yellow	585	2.1	2.8	100	2500	125	30	5		
	C. Anode	REC556	GaAsP/GaP	Orange	635	2.0	2.8	100	3500	125	30	5		
		RRA556	GaAsP	Red	655	1.7	2.0	100	800	100	30	5		
		RHA556	GaP	Red	697	2.0	2.8	100	1300	75	20	5		
		RGA556	GaP	Green	565	2.2	2.8	100	2500	125	30	5		
0.6 inch (15.24 mm) Single Digit Figure 15	C. Cathode	RYA556	GaAsP/GaP	Yellow	585	2.1	2.8	100	2500	125	30	5	- 40 to + 85	- 40 to + 100
		REA556	GaAsP/GaP	Orange	635	2.0	2.8	100	3500	125	30	5		
		HRC160	GaAsP	Red	655	1.7	2.0	100	600	100	30	5		
		HHC160	GaP	Red	697	2.0	2.8	100	1150	75	20	5		
		HGC160	GaP	Green	565	2.2	2.8	100	2400	125	30	5		
	C. Anode	HYC160	GaAsP/GaP	Yellow	585	2.1	2.8	100	2250	125	30	5		
		HEC160	GaAsP/GaP	Orange	635	2.0	2.8	100	3350	125	30	5		
		HRA160	GaAsP	Red	655	1.7	2.0	100	600	100	30	5		
		HHA160	GaP	Red	697	2.0	2.8	100	1150	75	20	5		
C. Anode	HGA160	GaP	Green	565	2.2	2.8	100	2400	125	30	5			
	HYA160	GaAsP/GaP	Yellow	585	2.1	2.8	100	2250	125	30	5			
	HEA160	GaAsP/GaP	Orange	635	2.0	2.8	100	3350	125	30	5			

Specifications subject to change at any time.

LED DISPLAYS

Idea lites

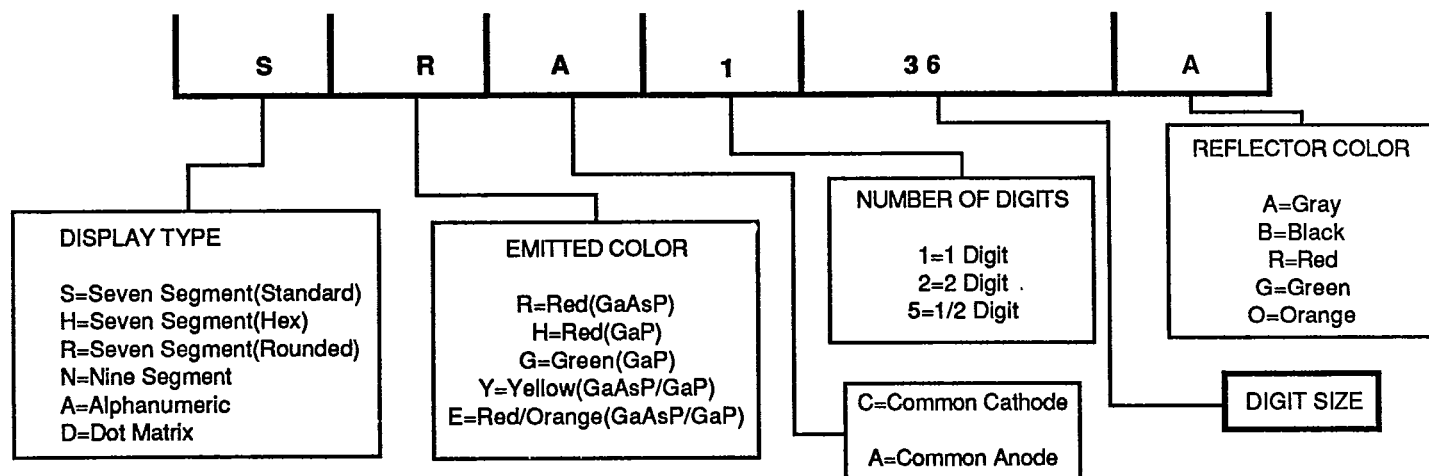
Digit Size & Figure No.	Type	Part No.	Chip		Peak λ (nm)	E/O Characteristics				Max Ratings				
			Material	Color		$V_F(V) @ I_F=20mA$		$I_R^* \text{ Max } (\mu A)$	Typ $I_V @ I_F=20mA$ (μcd)	P_d (mW)	I_F (mA)	V_R (V)	T_{opr} ($^{\circ}C$)	T_{stg} ($^{\circ}C$)
						Typ	Max							
1.0 inch (25.4 mm) Single Digit Figure 16	C. Cathode	SRC110	GaAsP	Red	655	3.4	4.0	100	1400	100	30	5	-40 to +85	-40 to +100
		SHC110	GaP	Red	697	4.0	5.6	100	2500	75	20	5		
		SGC110	GaP	Green	565	4.4	5.6	100	4000	125	30	5		
		SYC110	GaAsP/GaP	Yellow	585	4.2	5.6	100	4000	125	30	5		
		SEC110	GaAsP/GaP	Orange	635	4.0	5.6	100	5100	125	30	5		
	C. Anode	SRA110	GaAsP	Red	655	3.4	4.0	100	1400	100	30	5		
		SHA110	GaP	Red	697	4.0	5.6	100	2500	75	20	5		
		SGA110	GaP	Green	565	4.4	5.6	100	4000	125	30	5		
		SYA110	GaAsP/GaP	Yellow	585	4.2	5.6	100	4000	125	30	5		
		SEA110	GaAsP/GaP	Orange	635	4.0	5.6	100	5100	125	30	5		
1.0 inch (25.4 mm) ± 1 Polarity & Overflow Figure 17	C. Cathode	SRC510	GaAsP	Red	655	3.4	4.0	100	1400	100	30	5	-40 to +85	-40 to +100
		SHC510	GaP	Red	697	4.0	5.6	100	2500	75	20	5		
		SGC510	GaP	Green	565	4.4	5.6	100	4000	125	30	5		
		SYC510	GaAsP/GaP	Yellow	585	4.2	5.6	100	4000	125	30	5		
		SEC510	GaAsP/GaP	Orange	635	4.0	5.6	100	5100	125	30	5		
	C. Anode	SRA510	GaAsP	Red	655	3.4	4.0	100	1400	100	30	5		
		SHA510	GaP	Red	697	4.0	5.6	100	2500	75	20	5		
		SGA510	GaP	Green	565	4.4	5.6	100	4000	125	30	5		
		SYA510	GaAsP/GaP	Yellow	585	4.2	5.6	100	4000	125	30	5		
		SEA510	GaAsP/GaP	Orange	635	4.0	5.6	100	5100	125	30	5		
0.4 inch (10.16 mm) Dual Digit Figure 18	C. Cathode	HRC240	GaAsP	Red	655	1.7	2.0	100	600	100	30	5	-40 to +85	-40 to +100
		HHC240	GaP	Red	697	2.0	2.8	100	1300	75	20	5		
		HGC240	GaP	Green	565	2.2	2.8	100	2500	125	30	5		
		HYC240	GaAsP/GaP	Yellow	585	2.1	2.8	100	2500	125	30	5		
		HEC240	GaAsP/GaP	Orange	635	2.0	2.8	100	3500	125	30	5		
	C. Anode	HRA240	GaAsP	Red	655	1.7	2.0	100	600	100	30	5		
		HHA240	GaP	Red	697	2.0	2.8	100	1300	75	20	5		
		HGA240	GaP	Green	565	2.2	2.8	100	2500	125	30	5		
		HYA240	GaAsP/GaP	Yellow	585	2.1	2.8	100	2500	125	30	5		
		HEA240	GaAsP/GaP	Orange	635	2.0	2.8	100	3500	125	30	5		
0.5 inch (12.7 mm) Dual Digit Figure 19	C. Cathode	HRC250	GaAsP	Red	655	1.7	2.0	100	600	100	30	5	-40 to +85	-40 to +100
		HHC250	GaP	Red	697	2.0	2.8	100	1300	75	20	5		
		HGC250	GaP	Green	565	2.2	2.8	100	2500	125	30	5		
		HYC250	GaAsP/GaP	Yellow	585	2.1	2.8	100	2500	125	30	5		
		HEC250	GaAsP/GaP	Orange	635	2.0	2.8	100	3500	125	30	5		
	C. Anode	HRA250	GaAsP	Red	655	1.7	2.0	100	600	100	30	5		
		HHA250	GaP	Red	697	2.0	2.8	100	1300	75	20	5		
		HGA250	GaP	Green	565	2.2	2.8	100	2500	125	30	5		
		HYA250	GaAsP/GaP	Yellow	585	2.1	2.8	100	2500	125	30	5		
		HEA250	GaAsP/GaP	Orange	635	2.0	2.8	100	3500	125	30	5		
0.5 inch (12.7 mm) 1-1/2 Digit Figure 20	C. Cathode	NRC250	GaAsP	Red	655	1.7	2.0	100	600	100	30	5	-40 to +85	-40 to +100
		NHC250	GaP	Red	697	2.0	2.8	100	1300	75	20	5		
		NGC250	GaP	Green	565	2.2	2.8	100	2500	125	30	5		
		NYC250	GaAsP/GaP	Yellow	585	2.1	2.8	100	2500	125	30	5		
		NEC250	GaAsP/GaP	Orange	635	2.0	2.8	100	3500	125	30	5		
	C. Anode	NRA250	GaAsP	Red	655	1.7	2.0	100	600	100	30	5		
		NHA250	GaP	Red	697	2.0	2.8	100	1300	75	20	5		
		NGA250	GaP	Green	565	2.2	2.8	100	2500	125	30	5		
		NYA250	GaAsP/GaP	Yellow	585	2.1	2.8	100	2500	125	30	5		
		NEA250	GaAsP/GaP	Orange	635	2.0	2.8	100	3500	125	30	5		

Specifications subject to change at any time.

LED DISPLAYS

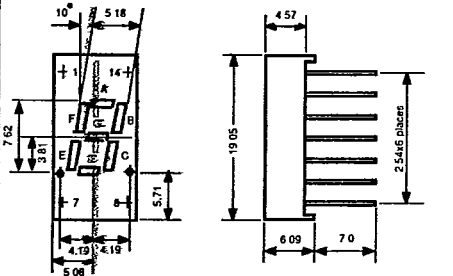
Digit Size & Figure No.	Type	Part No.	Chip		Peak λ (nm)	E/O Characteristics				Max Ratings				
						$V_F(V) @ I_F=20mA$		$I_R^* \text{ Max } (\mu A)$	Typ $I_V @ I_F=20mA$ (μcd)	P_d (mW)	I_F (mA)	V_R (V)	T_{opr} ($^{\circ}C$)	T_{stg} ($^{\circ}C$)
						Typ	Max							
0.56 inch 14.22 mm Dual Digit Figure 21	C. Cathode	RRC256	GaAsP	Red	655	1.7	2.0	100	800	100	30	5	- 40 to + 85	- 40 to + 100
		RHC256	GaP	Red	697	2.0	2.8	100	1300	75	20	5		
		RGC256	GaP	Green	565	2.2	2.8	100	2500	125	30	5		
		RYC256	GaAsP/GaP	Yellow	585	2.1	2.8	100	2500	125	30	5		
		REC256	GaAsP/GaP	Orange	635	2.0	2.8	100	3500	125	30	5		
	C. Anode	RRA256	GaAsP	Red	655	1.7	2.0	100	800	100	30	5		
		RHA256	GaP	Red	697	2.0	2.8	100	1300	75	20	5		
		RGA256	GaP	Green	565	2.2	2.8	100	2500	125	30	5		
		RYA256	GaAsP/GaP	Yellow	585	2.1	2.8	100	2500	125	30	5		
REA256	GaAsP/GaP	Orange	635	2.0	2.8	100	3500	125	30	5				
0.54 inch 13.6 mm 14 Segment Alphanumeric 2 Characters Figure 22	C. Cathode	ARC254	GaAsP	Red	655	1.7	2.0	100	800	100	30	5	- 40 to + 85	- 40 to + 100
		AHC254	GaP	Red	697	2.0	2.8	100	1300	75	20	5		
		AGC254	GaP	Green	565	2.2	2.8	100	2500	125	30	5		
		AYC254	GaAsP/GaP	Yellow	585	2.1	2.8	100	2500	125	30	5		
		AEC254	GaAsP/GaP	Orange	635	2.0	2.8	100	3500	125	30	5		
	C. Anode	ARA254	GaAsP	Red	655	1.7	2.0	100	800	100	30	5		
		AHA254	GaP	Red	697	2.0	2.8	100	1300	75	20	5		
		AGA254	GaP	Green	565	2.2	2.8	100	2500	125	30	5		
		AYA254	GaAsP/GaP	Yellow	585	2.1	2.8	100	2500	125	30	5		
AEA254	GaAsP/GaP	Orange	635	2.0	2.8	100	3500	125	30	5				
0.3 inch 7.62 mm 5x7 Dot Alphanumeric Display Figure 23	Row Cathode	DRC130	GaAsP	Red	655	1.7	2.0	100	400	100	30	5	- 40 to + 85	- 40 to + 100
		DHC130	GaP	Red	697	2.0	2.8	100	1000	75	20	5		
		DGC130	GaP	Green	565	2.2	2.8	100	1300	125	30	5		
		DYC130	GaAsP/GaP	Yellow	585	2.1	2.8	100	1300	125	30	5		
		DEC130	GaAsP/GaP	Orange	635	2.0	2.8	100	1800	125	30	5		
	Row Anode	DRA130	GaAsP	Red	655	1.7	2.0	100	400	100	30	5		
		DHA130	GaP	Red	697	2.0	2.8	100	1000	75	20	5		
		DGA130	GaP	Green	565	2.2	2.8	100	1300	125	30	5		
		DYA130	GaAsP/GaP	Yellow	585	2.1	2.8	100	1300	125	30	5		
DEA130	GaAsP/GaP	Orange	635	2.0	2.8	100	1800	125	30	5				
2.0 inch 50.8 mm 5x7 Dot Alphanumeric Display Figure 24	Row Cathode	DRC120	GaAsP	Red	655	1.7	2.0	100	600	100	30	5	- 40 to + 85	- 40 to + 100
		DHC120	GaP	Red	697	2.0	2.8	100	1300	75	20	5		
		DGC120	GaP	Green	565	2.2	2.8	100	2500	125	30	5		
		DYC120	GaAsP/GaP	Yellow	585	2.1	2.8	100	2500	125	30	5		
		DEC120	GaAsP/GaP	Orange	635	2.0	2.8	100	3500	125	30	5		
	Row Anode	DRA120	GaAsP	Red	655	1.7	2.0	100	600	100	30	5		
		DHA120	GaP	Red	697	2.0	2.8	100	1300	75	20	5		
		DGA120	GaP	Green	565	2.2	2.8	100	2500	125	30	5		
		DYA120	GaAsP/GaP	Yellow	585	2.1	2.8	100	2500	125	30	5		
DEA120	GaAsP/GaP	Orange	635	2.0	2.8	100	3500	125	30	5				

SELECTION GUIDE



All specifications are subject to change at any time (5)

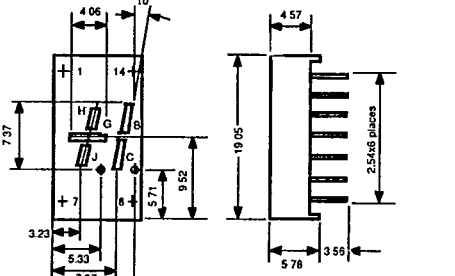
fig 1.



S_C130 COMMON CATHODE PIN ASSIGNMENT	S_A130 COMMON ANODE PIN ASSIGNMENT
1 NO PIN	1 CATHODE A
2 COMMON CATHODE*	2 CATHODE F
3 ANODE F	3 COMMON ANODE*
4 ANODE G	4 NO PIN
5 ANODE E	5 NO PIN
6 ANODE D	6 NO CONNECTION
7 NO PIN	7 CATHODE E
8 NO PIN	8 CATHODE D
9 COMMON CATHODE*	9 CATHODE RHDP
10 ANODE RHDP	10 CATHODE C
11 ANODE C	11 CATHODE G
12 ANODE B	12 NO PIN
13 ANODE A	13 CATHODE B
14 NO PIN	14 COMMON ANODE*

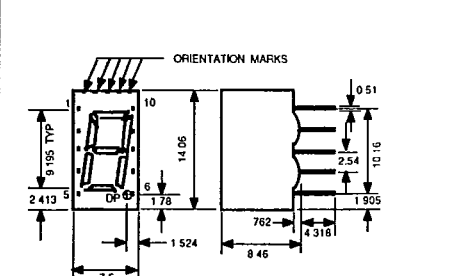
*PINS 2 & 9 INTERNALLY CONNECTED
*PINS 3,14 INTERNALLY CONNECTED

fig 2.



S_C530 PIN ASSIGNMENT	S_A530 PIN ASSIGNMENT
1 ANODE H	1 CATHODE H & G
2 NO PIN	2 NO CONNECTION
3 CATHODE H	3 NO CONNECTION
4 CATHODE G	4 ANODE H & CATHODE J
5 CATHODE J	5 NO CONNECTION
6 ANODE J	6 NO CONNECTION
7 ANODE G	7 ANODE J
8 ANODE G	8 ANODE G
9 ANODE RHDP	9 ANODE DP
10 NO PIN	10 ANODE C
11 CATHODE RHDP	11 ANODE B & CATHODE C
12 CATHODE B	12 NO CONNECTION
13 ANODE B	13 NO CONNECTION
14 ANODE C	14 CATHODE B & DP

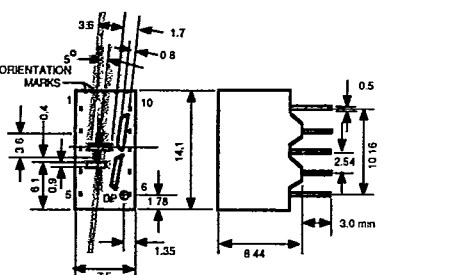
fig 3.



H_C136 COMMON CATHODE PIN ASSIGNMENT	H_A136 COMMON ANODE PIN ASSIGNMENT
1 COMMON CATHODE*	1 COMMON ANODE*
2 ANODE F	2 CATHODE F
3 ANODE G	3 CATHODE G
4 ANODE E	4 CATHODE E
5 ANODE D	5 CATHODE D
6 COMMON CATHODE*	6 COMMON ANODE*
7 ANODE DP	7 CATHODE DP
8 ANODE C	8 CATHODE C
9 ANODE B	9 CATHODE B
10 ANODE A	10 CATHODE A

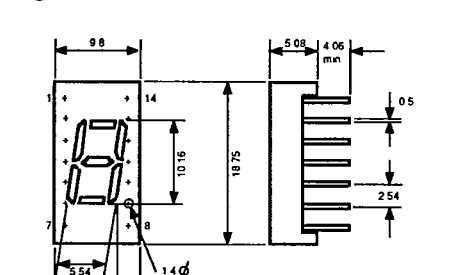
*PINS 1 & 6 INTERNALLY CONNECTED
*PINS 1 & 6 INTERNALLY CONNECTED

fig 4.



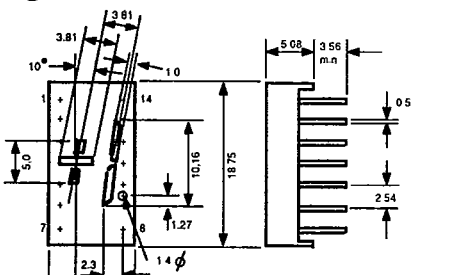
H_C536 COMMON CATHODE PIN ASSIGNMENT	H_A536 COMMON ANODE PIN ASSIGNMENT
1 COMMON CATHODE	1 COMMON ANODE
2 ANODE +	2 CATHODE +
3 ANODE -	3 CATHODE -
4 NC	4 NC
5 NC	5 NC
6 COMMON CATHODE	6 COMMON ANODE
7 ANODE DP	7 CATHODE E
8 ANODE C	8 CATHODE C
9 ANODE B	9 CATHODE B
10 NC	10 NC

fig 5.



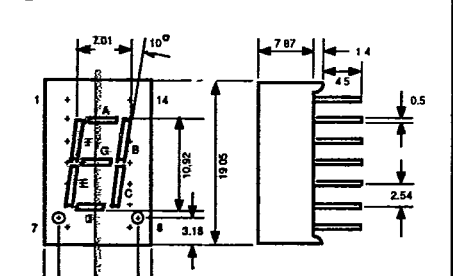
R_C140 COMMON CATHODE PIN ASSIGNMENT	R_A140 COMMON ANODE PIN ASSIGNMENT
1 ANODE F	1 CATHODE A
2 ANODE G	2 CATHODE F
3 NO PIN	3 ANODE DIGIT & DP*
4 COMMON CATHODE	4 NO PIN
5 NO PIN	5 NO PIN
6 ANODE E	6 NC
7 ANODE D	7 CATHODE E
8 ANODE C	8 CATHODE D
9 ANODE DP	9 CATHODE DP
10 NO PIN	10 CATHODE C
11 NC	11 CATHODE G
12 COMMON CATHODE*	12 NO PIN
13 ANODE B	13 CATHODE B
14 ANODE A	14 ANODE DIGIT & DP*

fig 6.



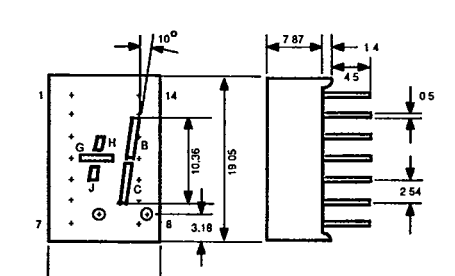
R_C540 PIN ASSIGNMENT
1 ANODE D1
2 NO PIN
3 CATHODE D1
4 CATHODE C
5 CATHODE D2
6 ANODE D2
7 ANODE C
8 ANODE DP
9 NO PIN
10 CATHODE DP
11 CATHODE B
12 CATHODE A
13 ANODE A
14 ANODE B

fig 7.



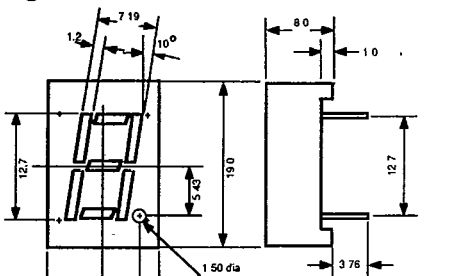
S_C143 COMMON CATHODE PIN ASSIGNMENT	S_A143 COMMON ANODE PIN ASSIGNMENT
1 ANODE A	1 CATHODE A
2 ANODE F	2 CATHODE F
3 COMMON CATHODE	3 COMMON ANODE
4 NO PIN	4 NO PIN
5 NO PIN	5 NO PIN
6 ANODE LHDP	6 CATHODE LHDP
7 ANODE E	7 CATHODE E
8 ANODE D	8 CATHODE D
9 ANODE RHDP	9 CATHODE RHDP
10 ANODE C	10 CATHODE C
11 ANODE G	11 CATHODE G
12 NO PIN	12 NO PIN
13 ANODE B	13 CATHODE B
14 COMMON CATHODE	14 COMMON ANODE

fig 8.



S_C543 PIN ASSIGNMENT
1 CATHODE H
2 ANODE H
3 NO PIN
4 CATHODE G
5 CATHODE J
6 ANODE J
7 ANODE G
8 ANODE DP
9 CATHODE DP
10 CATHODE C
11 DATHODE B
12 NO PIN
13 ANODE B
14 ANODE C

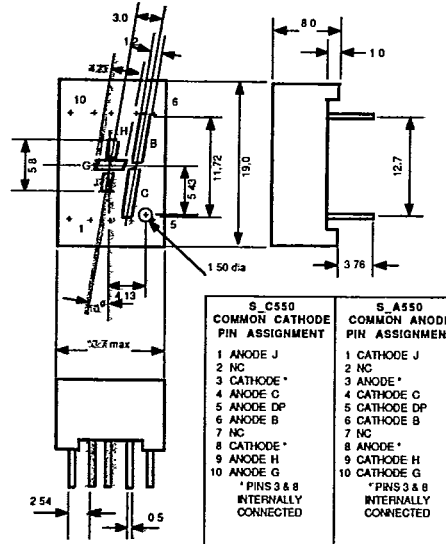
fig 9.



S_C150 COMMON CATHODE PIN ASSIGNMENT	S_A150 COMMON ANODE PIN ASSIGNMENT
1 ANODE E	1 CATHODE E
2 ANODE D	2 CATHODE D
3 CATHODE*	3 ANODE*
4 ANODE C	4 CATHODE C
5 ANODE DP	5 CATHODE DP
6 ANODE B	6 CATHODE B
7 ANODE A	7 CATHODE A
8 CATHODE*	8 ANODE*
9 ANODE F	9 CATHODE F
10 ANODE G	10 CATHODE G

*PINS 3 & 8 INTERNALLY CONNECTED
*PINS 3 & 8 INTERNALLY CONNECTED

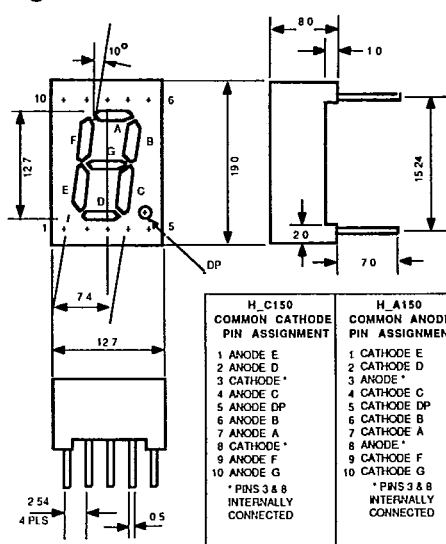
fig 10.



S_C550 COMMON CATHODE PIN ASSIGNMENT	S_A550 COMMON ANODE PIN ASSIGNMENT
1 ANODE J	1 CATHODE J
2 NC	2 NC
3 CATHODE*	3 ANODE*
4 ANODE C	4 CATHODE C
5 ANODE DP	5 CATHODE DP
6 ANODE B	6 CATHODE B
7 NC	7 NC
8 CATHODE*	8 ANODE*
9 ANODE H	9 CATHODE H
10 ANODE G	10 CATHODE G

*PINS 3 & 8 INTERNALLY CONNECTED

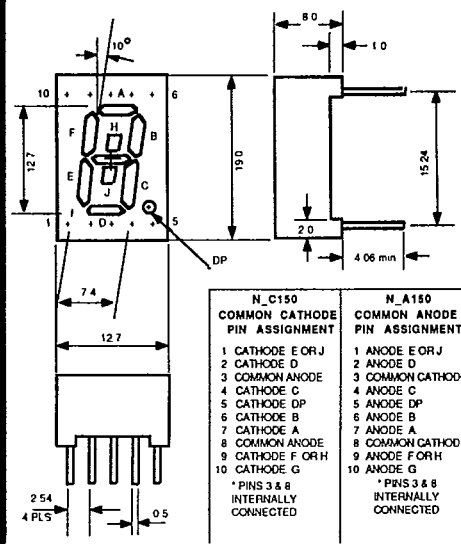
fig 11.



H_C150 COMMON CATHODE PIN ASSIGNMENT	H_A150 COMMON ANODE PIN ASSIGNMENT
1 ANODE E	1 CATHODE E
2 ANODE D	2 CATHODE D
3 CATHODE*	3 ANODE*
4 ANODE C	4 CATHODE C
5 ANODE DP	5 CATHODE DP
6 ANODE B	6 CATHODE B
7 ANODE A	7 CATHODE A
8 CATHODE*	8 ANODE*
9 ANODE F	9 CATHODE F
10 ANODE G	10 CATHODE G

*PINS 3 & 8 INTERNALLY CONNECTED

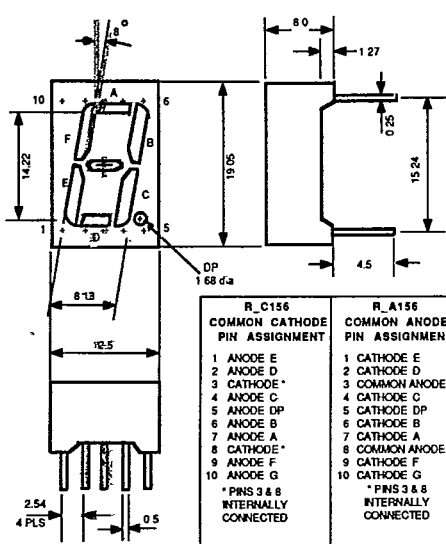
fig 12.



N_C150 COMMON CATHODE PIN ASSIGNMENT	N_A150 COMMON ANODE PIN ASSIGNMENT
1 CATHODE E OR J	1 ANODE E OR J
2 CATHODE D	2 ANODE D
3 COMMON ANODE	3 COMMON CATHODE
4 CATHODE C	4 ANODE C
5 CATHODE DP	5 ANODE DP
6 CATHODE B	6 ANODE B
7 CATHODE A	7 ANODE A
8 COMMON ANODE	8 COMMON CATHODE
9 CATHODE F OR H	9 ANODE F OR H
10 CATHODE G	10 ANODE G

*PINS 3 & 8 INTERNALLY CONNECTED

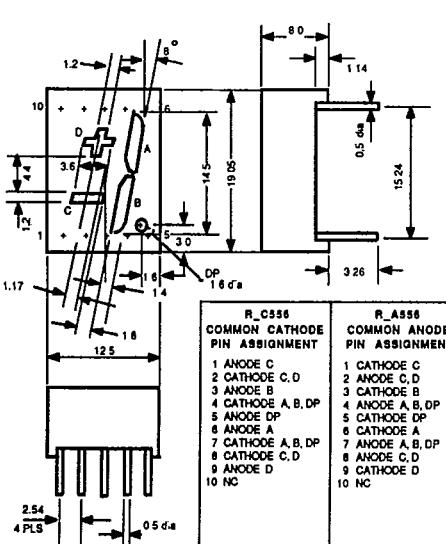
fig 13.



R_C156 COMMON CATHODE PIN ASSIGNMENT	R_A156 COMMON ANODE PIN ASSIGNMENT
1 ANODE E	1 CATHODE E
2 ANODE D	2 CATHODE D
3 CATHODE*	3 COMMON ANODE*
4 CATHODE C	4 CATHODE C
5 ANODE DP	5 CATHODE DP
6 ANODE B	6 CATHODE B
7 ANODE A	7 CATHODE A
8 CATHODE*	8 COMMON ANODE
9 ANODE F	9 CATHODE F
10 ANODE G	10 CATHODE G

*PINS 3 & 8 INTERNALLY CONNECTED

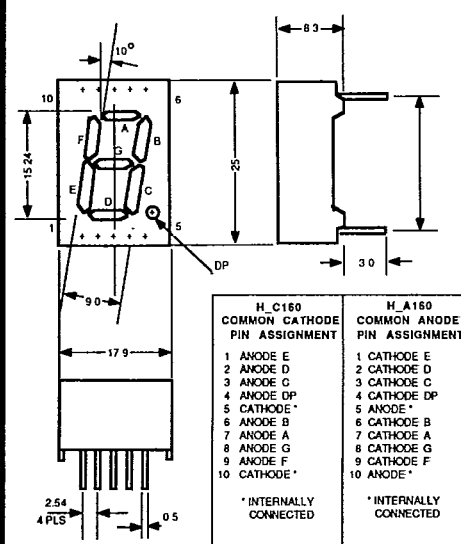
fig 14.



R_C556 COMMON CATHODE PIN ASSIGNMENT	R_A556 COMMON ANODE PIN ASSIGNMENT
1 ANODE C	1 CATHODE C
2 CATHODE C, D	2 ANODE C, D
3 ANODE B	3 CATHODE B
4 CATHODE A, B, DP	4 ANODE A, B, DP
5 ANODE DP	5 CATHODE DP
6 ANODE A	6 CATHODE A
7 CATHODE A, B, DP	7 ANODE A, B, DP
8 CATHODE C, D	8 ANODE C, D
9 ANODE D	9 CATHODE D
10 NC	10 NC

*PINS 3 & 8 INTERNALLY CONNECTED

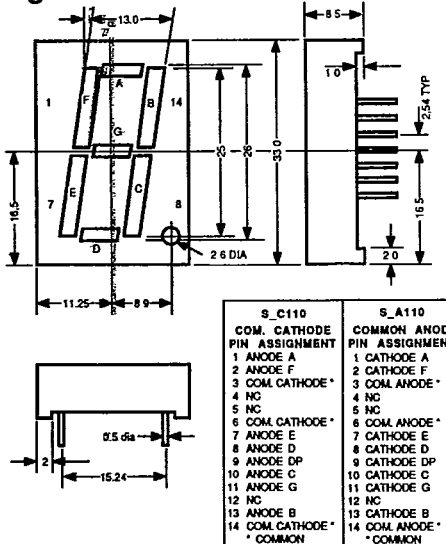
fig 15.



H_C160 COMMON CATHODE PIN ASSIGNMENT	H_A160 COMMON ANODE PIN ASSIGNMENT
1 ANODE E	1 CATHODE E
2 ANODE D	2 CATHODE D
3 ANODE C	3 CATHODE C
4 ANODE DP	4 CATHODE DP
5 ANODE*	5 ANODE*
6 ANODE B	6 CATHODE B
7 ANODE A	7 CATHODE A
8 ANODE G	8 CATHODE G
9 ANODE F	9 CATHODE F
10 CATHODE*	10 ANODE*

* INTERNALLY CONNECTED

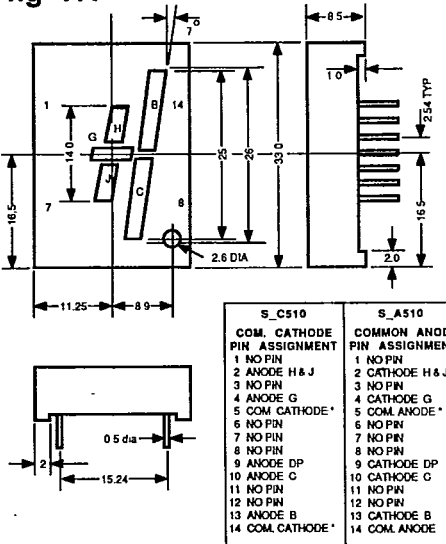
fig 16.



S_C110 COM. CATHODE PIN ASSIGNMENT	S_A110 COMMON ANODE PIN ASSIGNMENT
1 ANODE A	1 CATHODE A
2 ANODE F	2 CATHODE F
3 COM. CATHODE*	3 COM. ANODE*
4 NC	4 NC
5 NC	5 NC
6 COM. CATHODE*	6 COM. ANODE*
7 ANODE E	7 CATHODE E
8 ANODE D	8 CATHODE D
9 ANODE DP	9 CATHODE DP
10 ANODE C	10 CATHODE C
11 ANODE G	11 CATHODE G
12 NC	12 NC
13 ANODE B	13 CATHODE B
14 COM. CATHODE*	14 COM. ANODE*

*COMMON

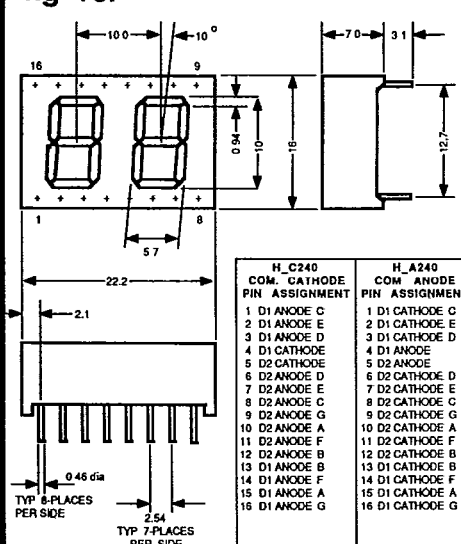
fig 17.



S_C510 COM. CATHODE PIN ASSIGNMENT	S_A510 COMMON ANODE PIN ASSIGNMENT
1 NO PIN	1 NO PIN
2 ANODE H & J	2 CATHODE H & J
3 NO PIN	3 NO PIN
4 ANODE G	4 CATHODE G
5 COM. CATHODE*	5 COM. ANODE*
6 NO PIN	6 NO PIN
7 NO PIN	7 NO PIN
8 NO PIN	8 NO PIN
9 ANODE DP	9 CATHODE DP
10 ANODE C	10 CATHODE C
11 NO PIN	11 NO PIN
12 NO PIN	12 NO PIN
13 ANODE B	13 CATHODE B
14 COM. CATHODE*	14 COM. ANODE

*COMMON

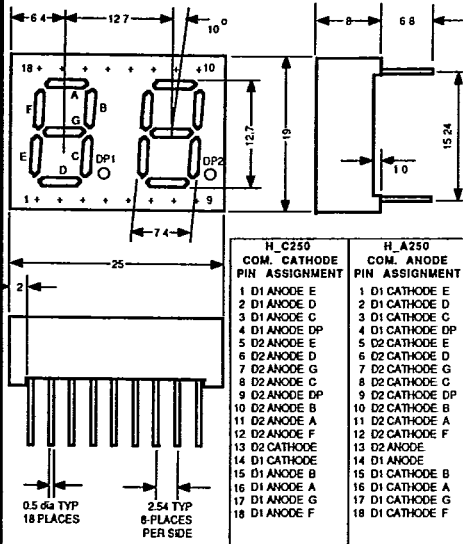
fig 18.



H_C240 COM. CATHODE PIN ASSIGNMENT	H_A240 COM ANODE PIN ASSIGNMENT
1 D1 ANODE C	1 D1 CATHODE C
2 D1 ANODE E	2 D1 CATHODE E
3 D1 ANODE D	3 D1 CATHODE D
4 D1 CATHODE	4 D1 ANODE
5 D2 CATHODE	5 D2 ANODE
6 D2 ANODE E	6 D2 CATHODE E
7 D2 ANODE D	7 D2 CATHODE D
8 D2 ANODE C	8 D2 CATHODE C
9 D2 ANODE G	9 D2 CATHODE G
10 D2 ANODE A	10 D2 CATHODE A
11 D2 ANODE F	11 D2 CATHODE F
12 D2 ANODE B	12 D2 CATHODE B
13 D1 ANODE B	13 D1 CATHODE B
14 D1 ANODE F	14 D1 CATHODE F
15 D1 ANODE A	15 D1 CATHODE A
16 D1 ANODE G	16 D1 CATHODE G

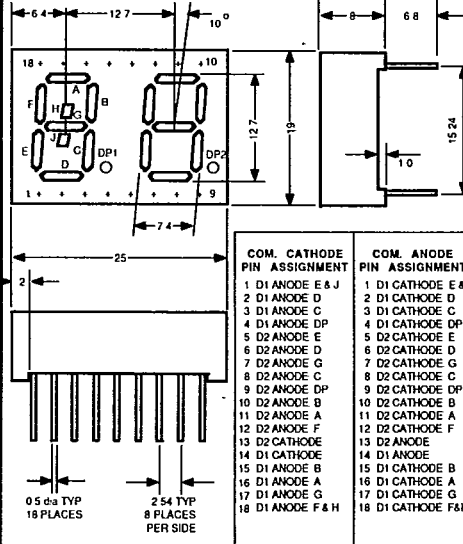
9

fig 19.



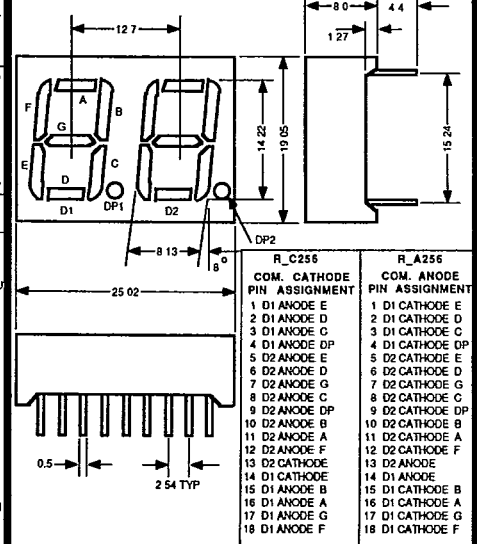
H_C250 COM. CATHODE PIN ASSIGNMENT		H_A250 COM. ANODE PIN ASSIGNMENT	
1	D1 ANODE E	1	D1 CATHODE E
2	D1 ANODE D	2	D1 CATHODE D
3	D1 ANODE C	3	D1 CATHODE C
4	D1 ANODE DP	4	D1 CATHODE DP
5	D2 ANODE E	5	D2 CATHODE E
6	D2 ANODE D	6	D2 CATHODE D
7	D2 ANODE G	7	D2 CATHODE G
8	D2 ANODE C	8	D2 CATHODE C
9	D2 ANODE DP	9	D2 CATHODE DP
10	D2 ANODE B	10	D2 CATHODE B
11	D2 ANODE A	11	D2 CATHODE A
12	D2 ANODE F	12	D2 CATHODE F
13	D2 CATHODE	13	D2 ANODE
14	D1 CATHODE	14	D1 ANODE
15	D1 CATHODE B	15	D1 CATHODE B
16	D1 ANODE A	16	D1 CATHODE A
17	D1 ANODE G	17	D1 CATHODE G
18	D1 ANODE F	18	D1 CATHODE F

fig 20.



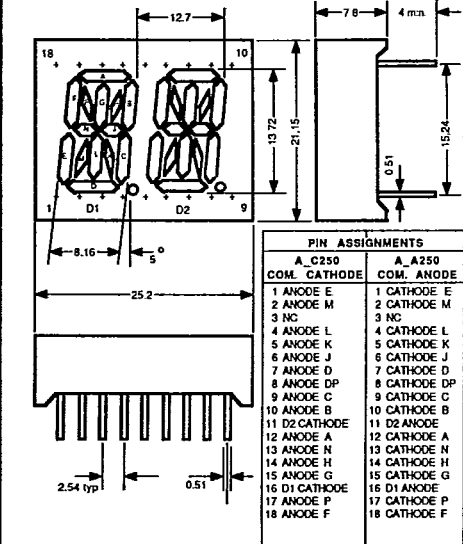
COM. CATHODE PIN ASSIGNMENT		COM. ANODE PIN ASSIGNMENT	
1	D1 ANODE E & J	1	D1 CATHODE E & J
2	D1 ANODE D	2	D1 CATHODE D
3	D1 ANODE C	3	D1 CATHODE C
4	D1 ANODE DP	4	D1 CATHODE DP
5	D2 ANODE E	5	D2 CATHODE E
6	D2 ANODE D	6	D2 CATHODE D
7	D2 ANODE G	7	D2 CATHODE G
8	D2 ANODE C	8	D2 CATHODE C
9	D2 ANODE DP	9	D2 CATHODE DP
10	D2 ANODE B	10	D2 CATHODE B
11	D2 ANODE A	11	D2 CATHODE A
12	D2 ANODE F	12	D2 CATHODE F
13	D2 CATHODE	13	D2 ANODE
14	D1 CATHODE	14	D1 ANODE
15	D1 ANODE B	15	D1 CATHODE B
16	D1 ANODE A	16	D1 CATHODE A
17	D1 ANODE G	17	D1 CATHODE G
18	D1 ANODE F & H	18	D1 CATHODE F&H

fig 21.



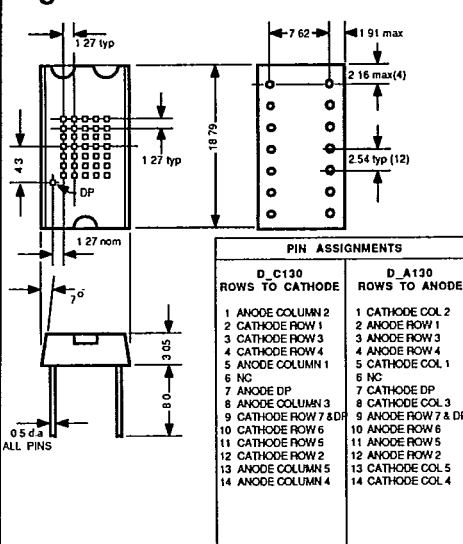
R_C256 COM. CATHODE PIN ASSIGNMENT		R_A256 COM. ANODE PIN ASSIGNMENT	
1	D1 ANODE E	1	D1 CATHODE E
2	D1 ANODE D	2	D1 CATHODE D
3	D1 ANODE C	3	D1 CATHODE C
4	D1 ANODE DP	4	D1 CATHODE DP
5	D2 ANODE E	5	D2 CATHODE E
6	D2 ANODE D	6	D2 CATHODE D
7	D2 ANODE G	7	D2 CATHODE G
8	D2 ANODE C	8	D2 CATHODE C
9	D2 ANODE DP	9	D2 CATHODE DP
10	D2 ANODE B	10	D2 CATHODE B
11	D2 ANODE A	11	D2 CATHODE A
12	D2 ANODE F	12	D2 CATHODE F
13	D2 CATHODE	13	D2 ANODE
14	D1 CATHODE	14	D1 ANODE
15	D1 ANODE B	15	D1 CATHODE B
16	D1 ANODE A	16	D1 CATHODE A
17	D1 ANODE G	17	D1 CATHODE G
18	D1 ANODE F	18	D1 CATHODE F

fig 22.



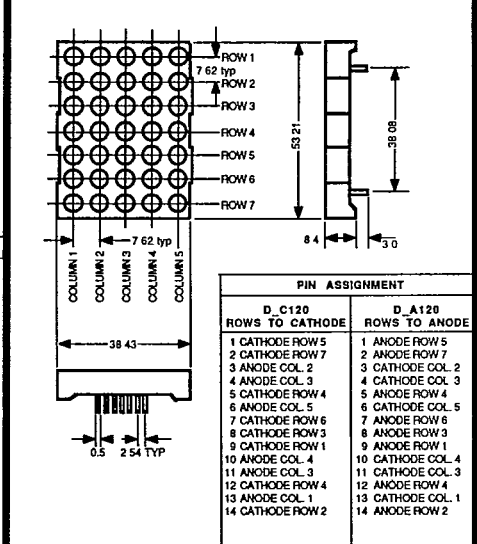
PIN ASSIGNMENTS			
A_C250 COM. CATHODE	A_A250 COM. ANODE		
1	ANODE E	1	CATHODE E
2	ANODE M	2	CATHODE M
3	NC	3	NC
4	ANODE L	4	CATHODE L
5	ANODE K	5	CATHODE K
6	ANODE J	6	CATHODE J
7	ANODE D	7	CATHODE D
8	ANODE DP	8	CATHODE DP
9	ANODE C	9	CATHODE C
10	ANODE B	10	CATHODE B
11	D2 CATHODE	11	D2 ANODE
12	ANODE A	12	CATHODE A
13	ANODE N	13	CATHODE N
14	ANODE H	14	CATHODE H
15	ANODE G	15	CATHODE G
16	D1 CATHODE	16	D1 ANODE
17	CATHODE P	17	CATHODE P
18	ANODE F	18	CATHODE F

fig 23.



PIN ASSIGNMENTS			
D_C130 ROWS TO CATHODE	D_A130 ROWS TO ANODE		
1	ANODE COLUMN 2	1	CATHODE COL 2
2	CATHODE ROW 1	2	ANODE ROW 1
3	CATHODE ROW 3	3	ANODE ROW 3
4	CATHODE ROW 4	4	ANODE ROW 4
5	ANODE COLUMN 1	5	CATHODE COL 1
6	NC	6	NC
7	ANODE DP	7	CATHODE DP
8	ANODE COLUMN 3	8	CATHODE COL 3
9	CATHODE ROW 7 & DP	9	ANODE ROW 7 & DP
10	CATHODE ROW 6	10	ANODE ROW 6
11	CATHODE ROW 5	11	ANODE ROW 5
12	CATHODE ROW 2	12	ANODE ROW 2
13	ANODE COLUMN 5	13	CATHODE COL 5
14	ANODE COLUMN 4	14	CATHODE COL 4

fig 24.



PIN ASSIGNMENT			
D_C120 ROWS TO CATHODE	D_A120 ROWS TO ANODE		
1	CATHODE ROW 5	1	ANODE ROW 5
2	CATHODE ROW 7	2	ANODE ROW 7
3	ANODE COL 2	3	CATHODE COL 2
4	ANODE COL 3	4	CATHODE COL 3
5	CATHODE ROW 4	5	ANODE ROW 4
6	ANODE COL 5	6	CATHODE COL 5
7	CATHODE ROW 6	7	ANODE ROW 6
8	CATHODE ROW 3	8	ANODE ROW 3
9	CATHODE ROW 1	9	ANODE ROW 1
10	ANODE COL 4	10	CATHODE COL 4
11	ANODE COL 3	11	CATHODE COL 3
12	CATHODE ROW 4	12	ANODE ROW 4
13	CATHODE COL 1	13	CATHODE COL 1
14	ANODE ROW 2	14	ANODE ROW 2

NOTES